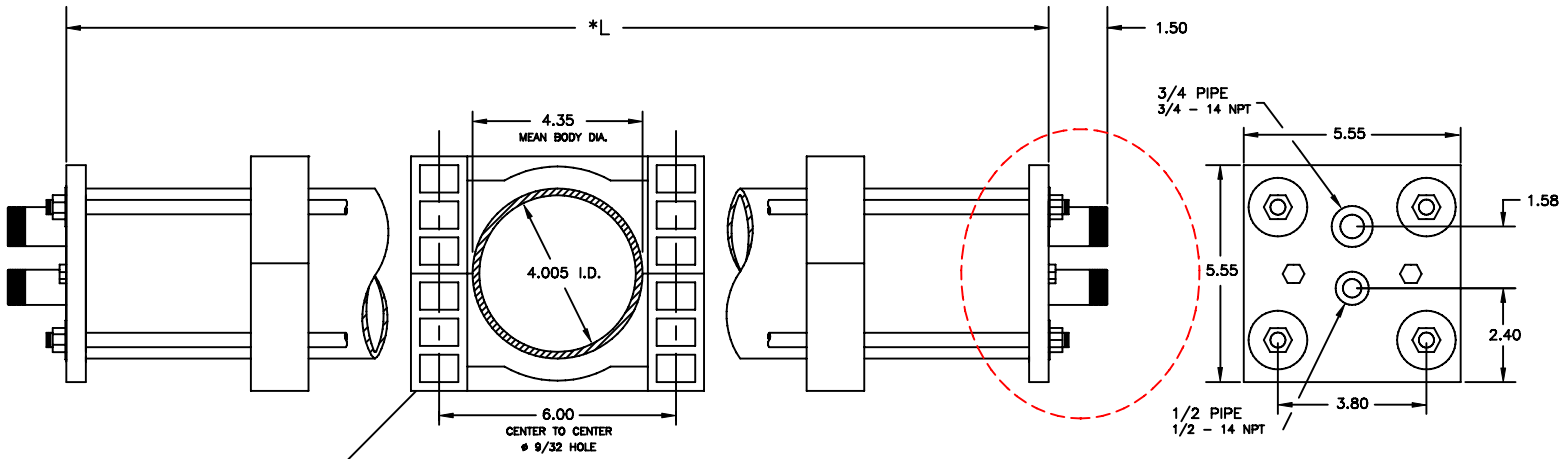


COMPOSITE CONCEPTS, INC.

4S VESSEL Isometric / Cross Section

<p>All dimensions are shown in inches</p> <p>TOLERANCES</p> <table border="1"> <tr> <td>DECIMALS</td> <td>ANGLES</td> </tr> <tr> <td>.XX ±.01</td> <td>± .5°</td> </tr> <tr> <td>.XXX ±.005</td> <td></td> </tr> </table>	DECIMALS	ANGLES	.XX ±.01	± .5°	.XXX ±.005		Drawing Number: 41231	
	DECIMALS	ANGLES						
	.XX ±.01	± .5°						
	.XXX ±.005							
Drawn By: Kevin Read	Date: 20APR05							
Approved By: Steve McPherson	Date: 20APR05							
Revision:								
Scale: NTS	Date: 21APR05							

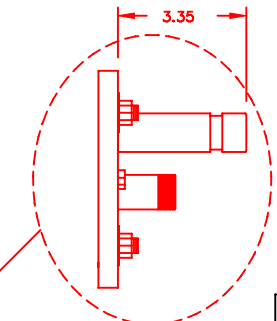
Sheet: 1 of 3



DWG. REF. 13

NOTES:
 * Refer to the 4-inch vessel specification table found on the 4-inch vessel main page.

Detail Drawing shows length of optional Victaulic Pressure Port



COMPOSITE CONCEPTS, INC.			
4S Dimensional Drawing			
All dimensions are shown in inches		Drawing Number: 41232	
		Drawn By: Kevin Read	Date: 20APR05
TOLERANCES		Approved By: Steve McPherson	Date: 20APR05
		Revision:	
DECIMALS	ANGLES	Scale: NTS Date: 21APR05	
.XX ±.01 .XXX ±.005	± .5°		

Sheet: 2 of 3

Dwg Ref	Qty per vessel	Part Number	Part Name	Material
1	8	40631	5/8 - 13 Lock Nut	Type 316 Stainless Steel
2	8	40731	5/8 Flat Washer	Type 316 Stainless Steel
3	4	40831	1/4 - 20 x 1 1/2 Bolt	Stainless Steel
4	2	40401	Pressure Port	Type 316 Stainless Steel
5	2	40301	Product Port	Type 316 Stainless Steel
6	2	40131	Bearing Plate	6061-T6 Hard Anodized Aluminium Alloy
7	2	WS-100-S16	Pressure Port Retaining Ring	Type 316 Stainless Steel
8	2	WS-81-S16	Product Port Retaining Ring	Type 316 Stainless Steel
9	2	40201 40203	4S End Plug (uses element adapter) 4S End Plug (direct connect)	PVC Thermoplastic
10	2	2-342	End Plug Seal	Ethylene Propylene O-ring
11	2	2-119	Pressure Port Seal	Ethylene Propylene O-ring
12	4	2-116	Product Port Seal/Hub Seal	Ethylene Propylene O-ring
13	2	41032	Mounting Block	HDPE

COMPOSITE CONCEPTS, INC.

4S VESSEL: Parts List

Drawing Number: 41239

Drawn By: Kevin Read

Date: 21APR05

Approved By: Steve McPherson

Date: 21APR05

Revision:

Sheet: 3 of 3

Date: 22APR05